



**ACCESSORIES FOR
TILT-AND-TURN PAIRED
WING OR SIDE-HUNG SASH**

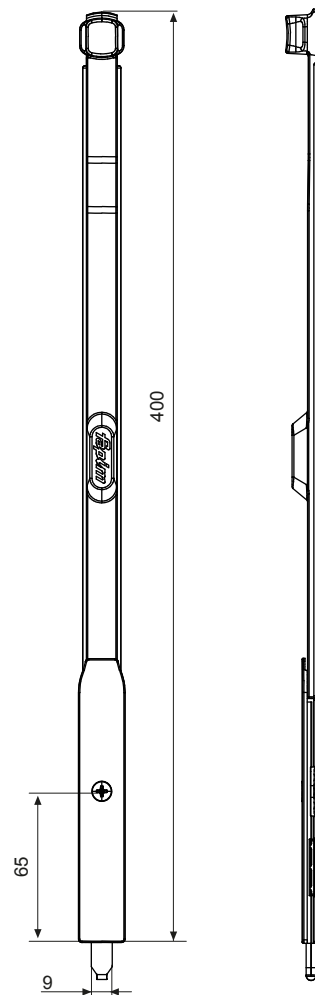
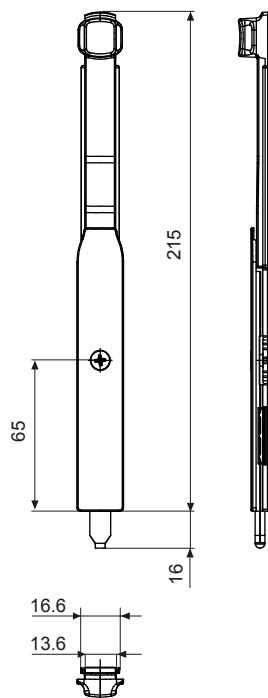
 Made in Italy

fapim[®]
Life in evolution



Art. 1500A

Art. 1500B



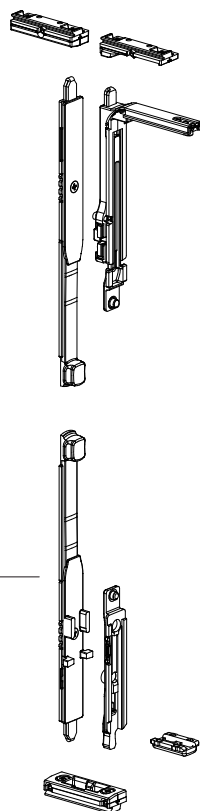
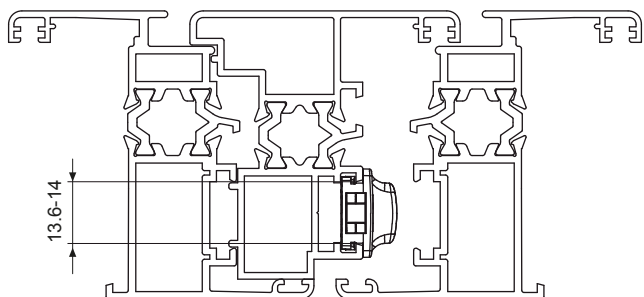
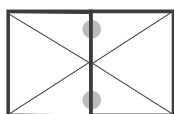
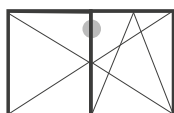
1500A

1500B

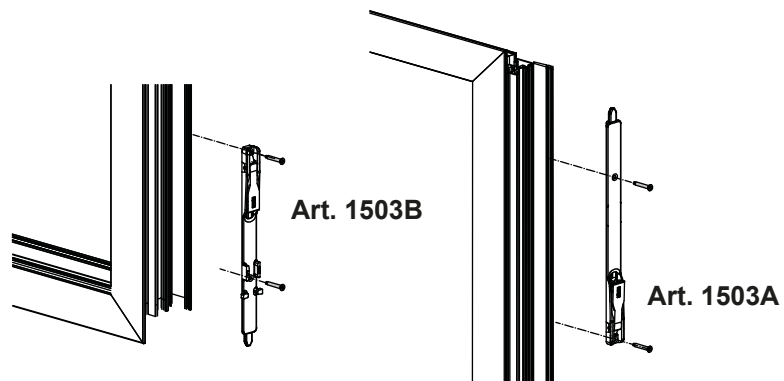
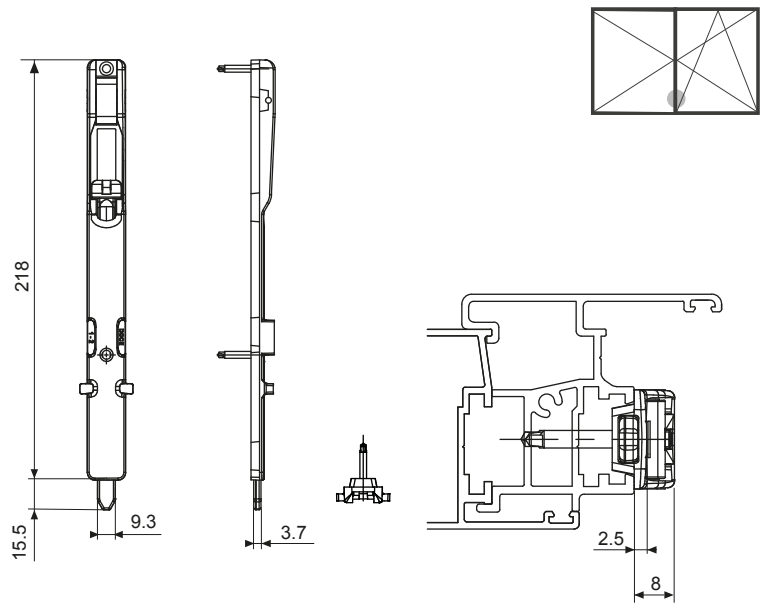
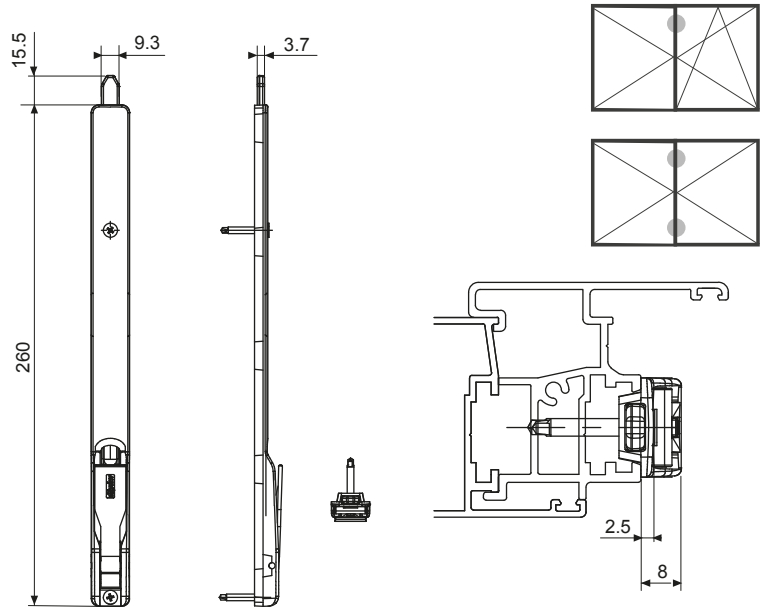


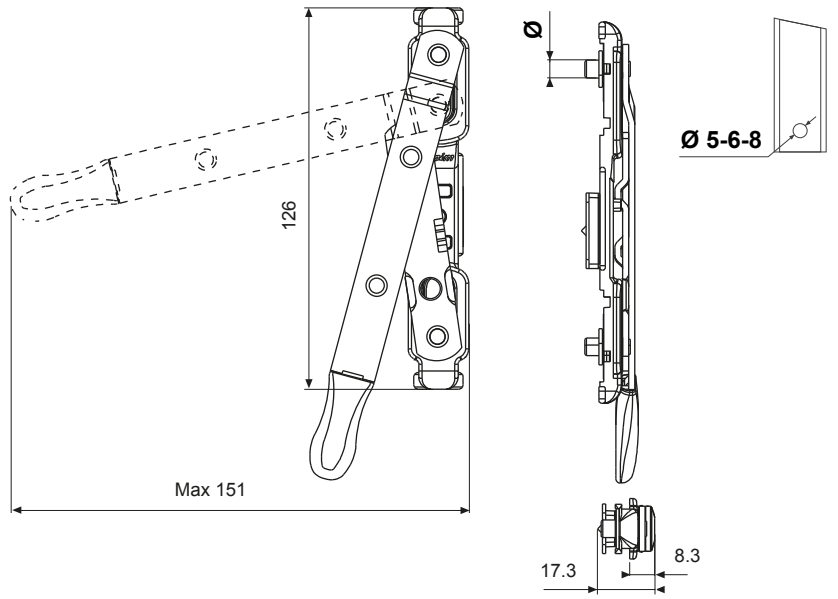
13.6x16.8
14x18

50

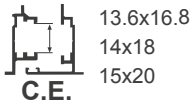


Art.1504B

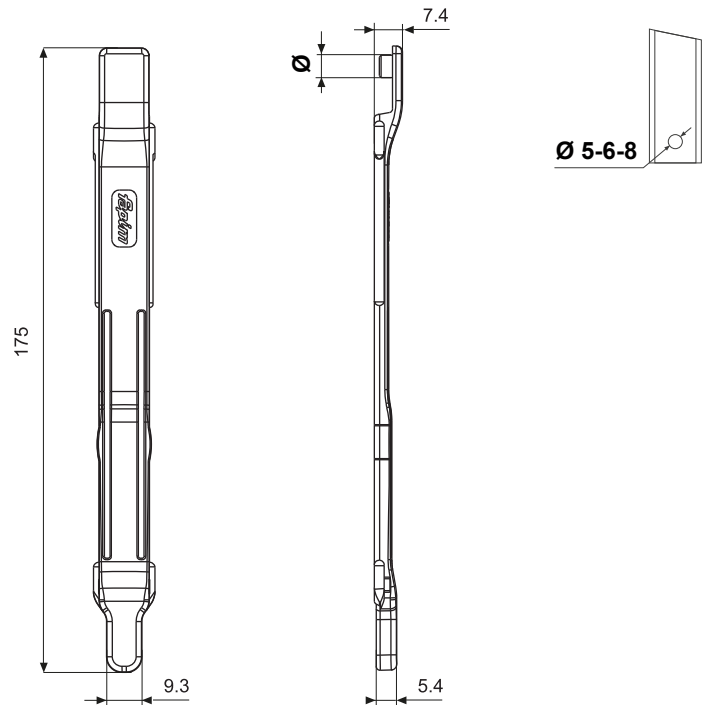
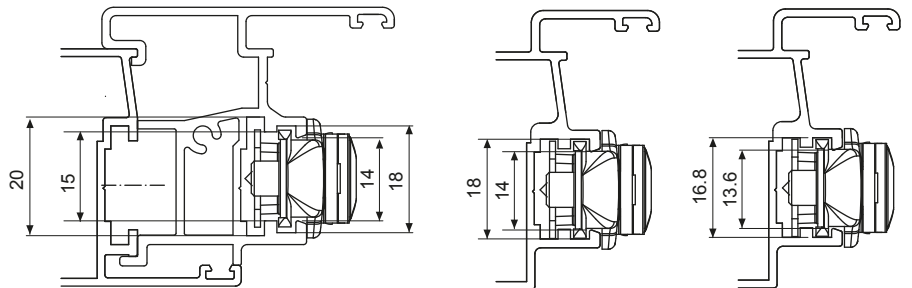
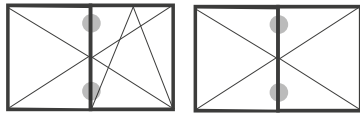




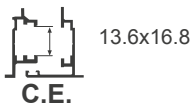
1508



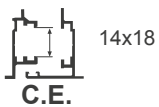
10



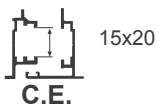
1509A



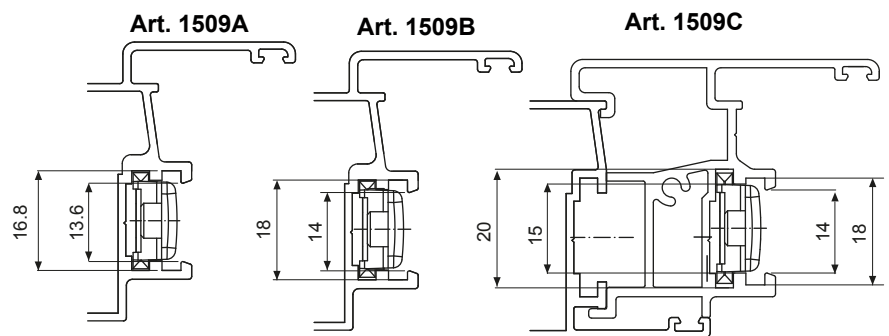
1509B

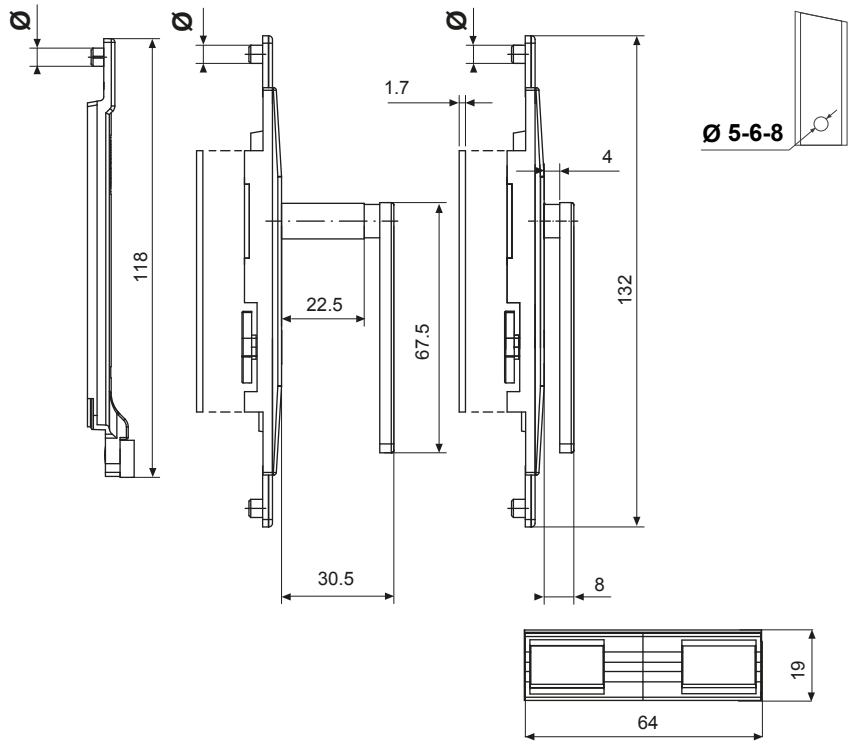


1509C



20

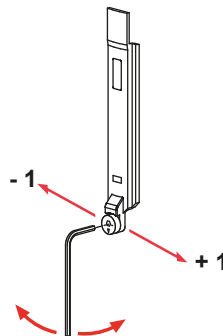
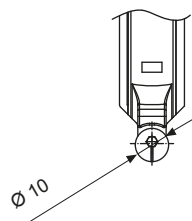
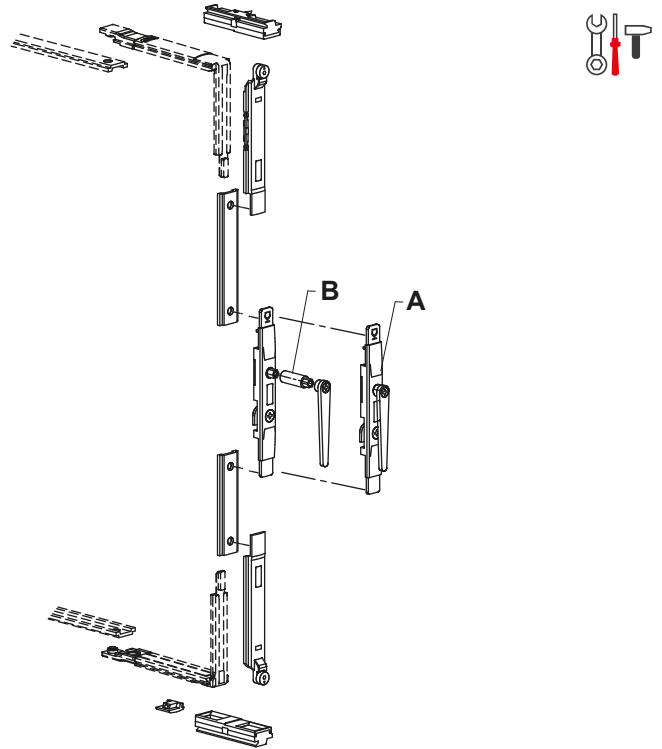
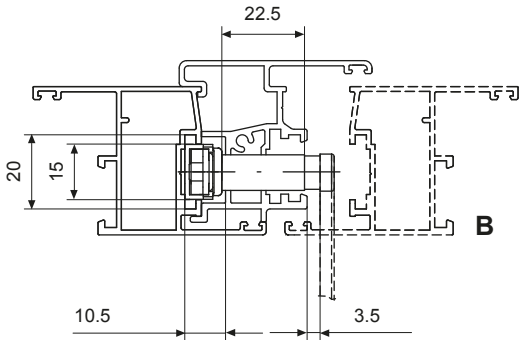
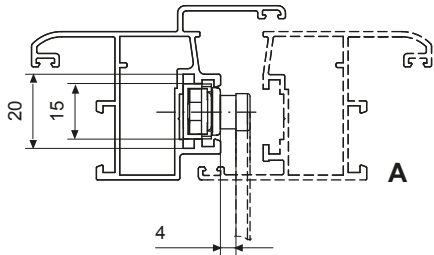
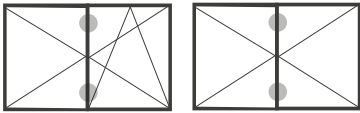




1501

10x14.5
12x15
13.6x16.8
14x18
C.E.

10



fapim[®]

Fapim S.p.A.
Via delle Cerbaie, 114
55011 Altopascio (LU) Italy
T +39 0583 2601 F+39 0583 25291
www.fapim.it info@fapim.it
Cod.Fisc. e Part.I.V.A. 02224030466

DOMATIC[®]

DOMATIC
info@domatic.it www.domatic.it

fapim

BENELUX

Fapim Benelux s.p.r.l.b.v.b.a.
Avenue Rue St. Roch , 17
7712 Herseaux Belgium
T +32 56 340548
T +32 56 341960
info-fapimbenelux@fapim.it

fapim

HISPANIA

Fapim Hispania s.L.
C/edison, esq. A. Ingeniero
Goicoechea 45600
Parcela, 74
Talavera De la Reina (Espana)
T +34 925 828357
F +34 925 841148
administración@fapimhispania.com
pedidos@fapimhispania.com

fapim

POLSKA

Fapim Polska sp. z o.o.
ul.Przyrzeczce 4 03-107
WarszawaNIP : 536-16-29-437
T +48 227813797
F +48 227811022
Gsm 609022972

fapim

RUSSIA

Fapim RU llc
Kaluzhskaya Region
Province Borovskiy, 99km.
main way "Ukraina", building 4A
T +7 48439 97207
info@fapimru.ru

fapim[®]

ARGENTINA

Fapim Argentina S.A.
CUIT: 30-71206299-8
Calle Gral Alvear N° 411 - 1°
Piso of 1 (B1640EWC) Martinez
Pdo. de San Isidro
Buenos Aires - Argentina
T (+54) (11) 4897-0062
y Líneas Rotativas

