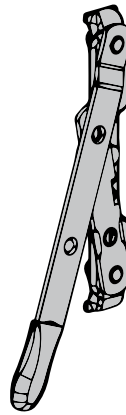
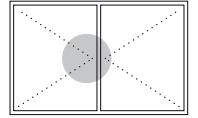


1508

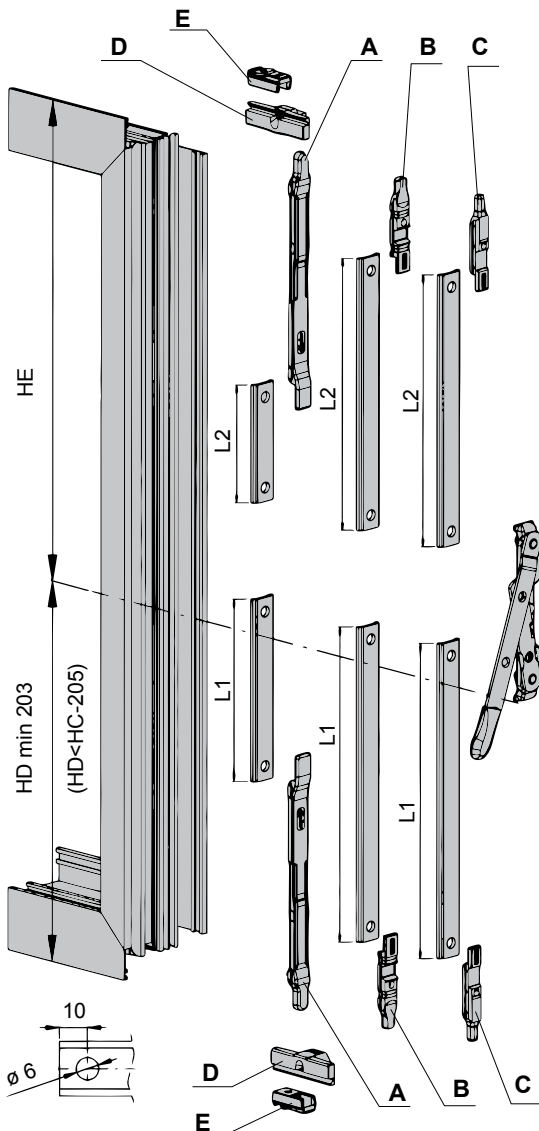
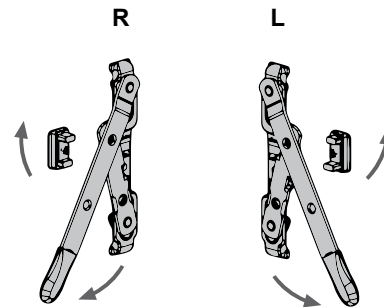
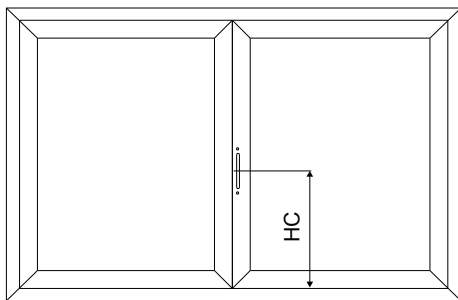
Art. 1508



fapim

Life in evolution

ULDP - Rev.00



	☒	☒	Art.	L1	L2
C.E. 	A	●	1509A	HD-138	HE-258
	D	●	4100 4134		
	E	●	4102 4124		
C.E. 	A	●	1509B	HD-138	HE-258
	D	●	4100 4134		
	E	●	4102 4124		
C.E. 	A	●	1509C	HD-138	HE-258
	B	●	4076	HD-56	HE-176
	C	●	4092	HD-42	HE-162
	D	●	4100 4134		
	E	●	4102 4124		
All.co 5 S. 	A	●	1509C	HD-139	HE-259
	B	●	4076	HD-57	HE-177
	C	●	4092	HD-43	HE-163
	D	●	4131		
Nuovo NC 40 S. 	A	●	1509C	HD-140	HE-260
	B	●	4076	HD-58	HE-178
	C	●	4092	HD-44	HE-164
	D	●	4126		